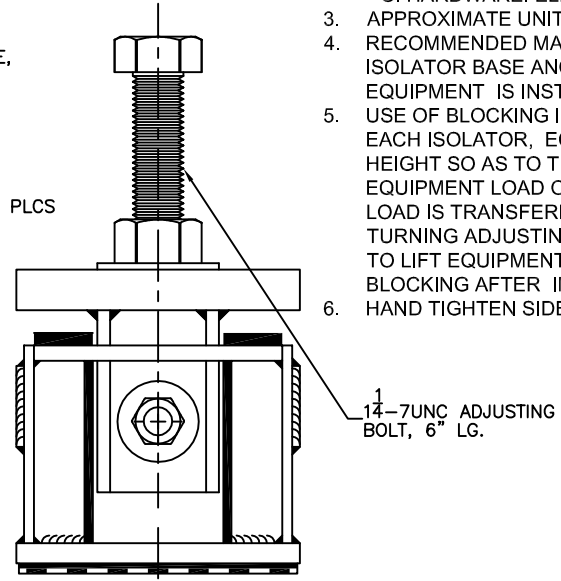
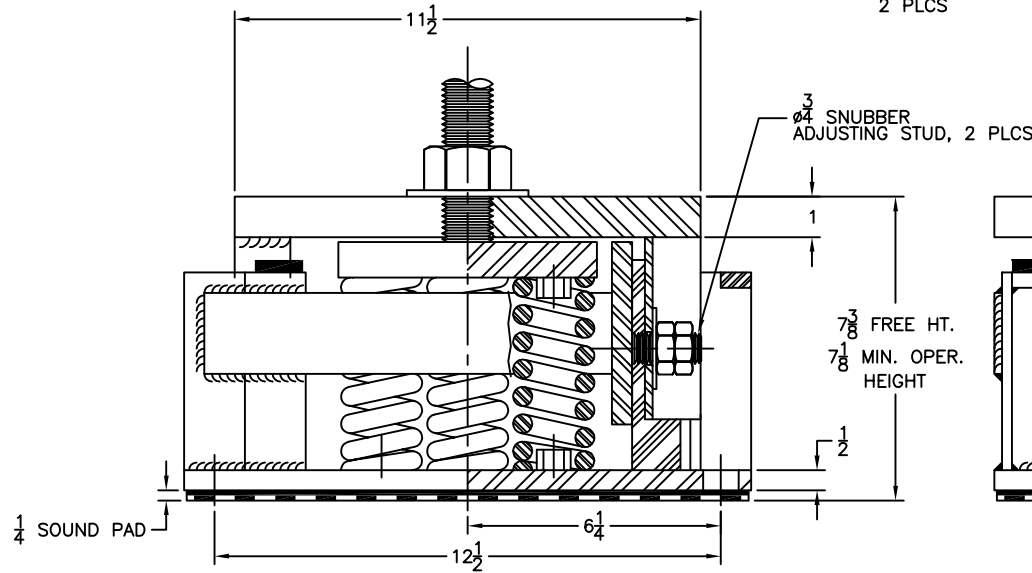
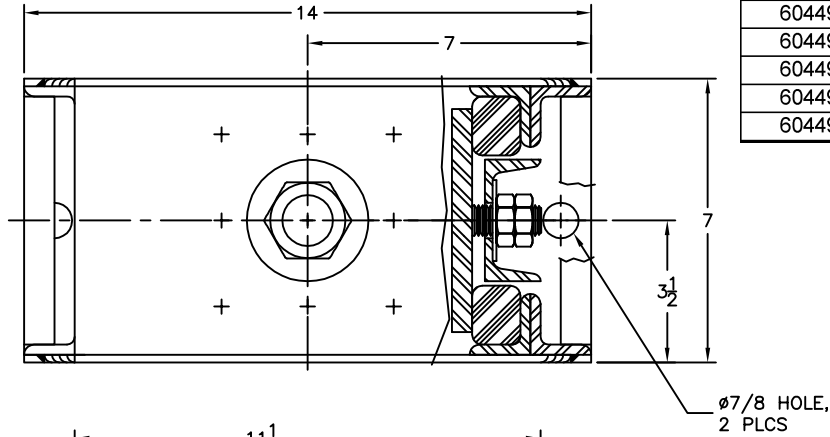


REV.	DESCRIPTION	DATE	BY

PART NUMBER	ISOLATOR MODEL	MAX. STEADY (LBS)	MAX. IMPACT (LBS)	ISOLATOR CONSTANT (LBS)
604496-754	LKH-754	7640	5720	11540
604496-755	LKH-755	9540	7150	14430
604496-756	LKH-756	11450	8580	17320
604496-757	LKH-757	13370	10000	20200
604496-758	LKH-758	15300	11460	23090
604496-759	LKH-759	17200	12900	25970



- NOTES:
- ALL DIMENSIONS ARE IN INCHES, INTERPRET PER ANSI Y14
 - STANDARD FINISH: CONTACT VMC FOR ADDITIONAL AVAILABILITY
 - A. STEEL WELDMENTS: STANDARD VMC COLOR
 - B. SPRING: POWDER COATED
 - C. HARDWARE: ELECTRO-ZINC PLATED
 - APPROXIMATE UNIT WEIGHT: 85 LBS.
 - RECOMMENDED MAXIMUM TORQUING OF ISOLATOR BASE ANCHORS TO 5FT-LBS. AFTER EQUIPMENT IS INSTALLED.
 - USE OF BLOCKING IS REQUIRED ALONGSIDE EACH ISOLATOR, EQUAL TO ISOLATOR FREE HEIGHT SO AS TO TEMPORARILY TRANSFER THE EQUIPMENT LOAD ONTO BLOCKING UNTIL THE LOAD IS TRANSFERRED TO THE SPRING BY TURNING ADJUSTING BOLT CAUSING ISOLATOR TO LIFT EQUIPMENT ABOVE BLOCKING. REMOVE BLOCKING AFTER INSTALLATION IS COMPLETE.
 - HAND TIGHTEN SIDE SNUBBING BOLT.

OTHER MATERIALS, COMPOUNDS, OR FINISHES WITH EQUAL OR SUPERIOR PROPERTIES MAY BE SUBSTITUTED AS THEY BECOME AVAILABLE.

CERTIFIED FOR:

JOB NAME: _____

CUSTOMER : _____

CUSTOMER P.O.: _____

SALES ORDER: _____

**MODEL LKH 7640-17200 LBS.
SPRING ISOLATOR WITH
ADJUSTABLE SNUBBER**

THE VMC GROUP
The Power of Together
Bloomington, NJ 07403
Houston, TX 77041

SCALE: NONE	
SHEET:	
DRAWING NO.:	REVISION